



**KEYSCO TOOLS
DIVISION OF S&H INDUSTRIES**

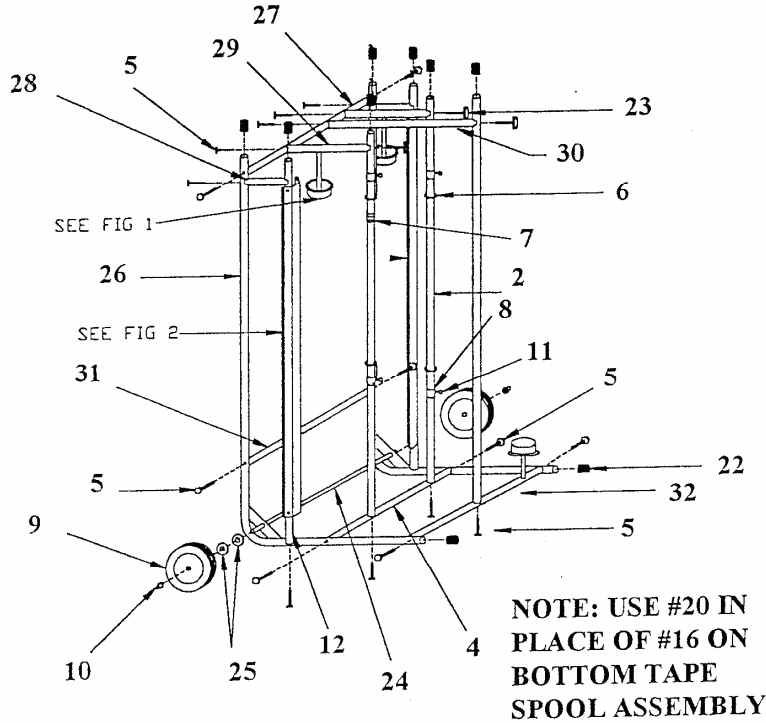
5200 Richmond Road • Cleveland, OH 44146
 Phone 216-831-0550 • Toll Free 800-253-9726 •
 Fax 216-831-9573
 www.shindustries.com
 E-Mail: www.service@shindustries.com

MADE IN THE USA

Rev. 1/19/12

3-ROLL VERTICAL MASKER – 78017

A mobile stand to hold up to two rolls of 36" paper and a roll of 36" plastic. Masker is only 22" wide and 50" high. It is recommended that dispensing of paper be done with the masker in the horizontal position. Features tool-less paper and plastic loading.



NOTE: USE #20 IN PLACE OF #16 ON BOTTOM TAPE SPOOL ASSEMBLY

FIG 2

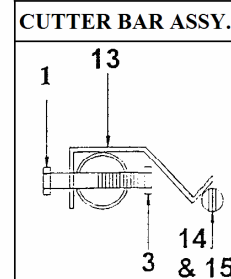
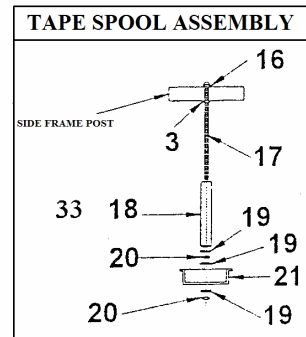


FIG 1



DO NOT TIGHTEN HARDWARE UNTIL ALL PARTS ARE INSTALLED

Key #	Part #	Description	Qty.	Key #	Part #	Description	Qty.
1	10676	1/4-20 x 1-1/2" Bolt	4	18	10752	Rod cover	2
2	11185	Paper/plastic bar ret. post	3	19	10218	1/4" Flat washer	9
3	10201	1/4-20 Hex nut	7	20	10178	Lock nut	7
4	11186	Cross member	1	21	10672	Tape spool	3
5	10675	1/4-20 x 2" Bolt	20	22	10688	Tubing cap	9
6	10677	Paper bar washer	8	23	10678	Knob	3
7	10222	Paper bar spring	3	24	11190	Axle	1
8	10680	Paper bar collar	8	25	10188	1/2" Flat washer	4
9	40225	Wheel	2	26	11549	Leg	2
10	10705	Hub cap	2	27	11550	Cross member	1
11	10203	Thumb screw	8	28	11193	Cross-member cutter bar	2
12	11187	Cutter bar retainer	2	29	11194	Paper bar cross member	2
13	10696	Cutter bar	2	30	11151	Plastic bar cross support	1
14	10689	S-hook	4	31	11196	Middle cross member	1
15	10694	Extension spring	2	32	11552	Bottom cross member	1
16	10204	1/4-20 acorn nut	2	33	10729	Bottom rod cover	1
17	10751	Tape spool rod	3				

TOOL-LESS PAPER/PLASTIC LOADING

No tools necessary to load paper rolls! Simply remove paper bar (2) by unscrewing two hand knobs (23). Loosen thumb screw (11) and remove paper bar collar (8) and paper bar washer (6). Install paper roll on paper bar and assemble in reverse order. Hand-tighten thumb screw (11) and knobs (23).